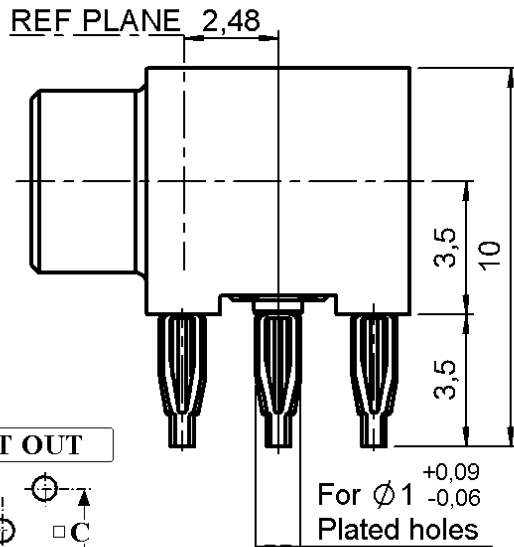
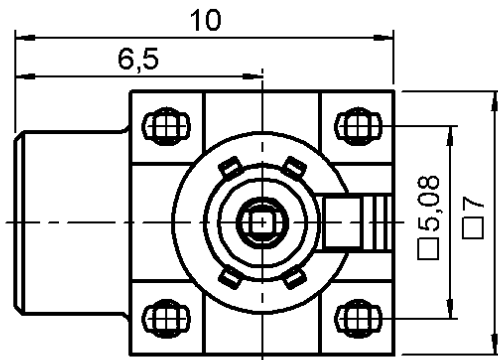


**RIGHT ANGLE RECEPTACLE FOR PCB**

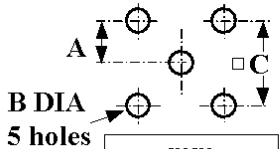
**R113.661.000**

**PRESS-FIT LEGS**

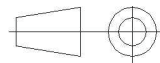
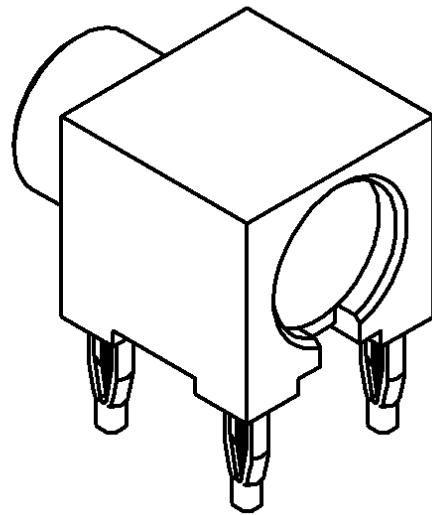
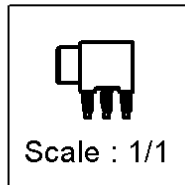
Series : MCX



**PANEL CUT OUT**



	mm	
	Maxi	mini
A	2.565	2.515
B	1.09	0.94
C	5.105	5.055



All dimensions are in mm.

COMPONENTS	MATERIALS	PLATINGS (µm)
BODY	BRASS	GOLD 0.2 OVER NICKEL 2
CENTER CONTACT	BERYLLIUM COPPER	GOLD 1.3 OVER NICKEL 2
OUTER CONTACT	-	-
INSULATOR	ULTEM+PTFE	-
GASKET	-	-
OTHERS PARTS	PHOSPHOR BRONZE	TIN 3 OVER NICKEL 2
-	-	-
-	-	-

Issue : 0540 D

In the effort to improve our products, we reserve the right to make changes judged to be necessary.



**RIGHT ANGLE RECEPTACLE FOR PCB**

**R113.661.000**

**PRESS-FIT LEGS**

Series : **MCX**

**PACKAGING**

**SPECIFICATION**

Standard	Unit	Other
<b>100</b>	<b>'W' option</b>	<b>Contact us</b>

**ELECTRICAL CHARACTERISTICS**

**ENVIRONMENTAL**

Impedance		<b>50</b> Ω
Frequency		<b>0-6</b> GHz
VSWR	<b>1.05</b> +	<b>0.015</b> x F(GHz) Maxi
Insertion loss		<b>0.03*</b> √F(GHz) dB Maxi
RF leakage	- (	<b>NA</b> - F(GHz)) dB Maxi
Voltage rating		<b>335</b> Veff Maxi
Dielectric withstanding voltage		<b>1000</b> Veff mini
Insulation resistance		<b>1000</b> MΩ mini

Operating temperature	<b>-40/+85</b> ° C
Hermetic seal	<b>NA</b> Atm.cm3/s
Panel leakage	<b>NA</b>

**OTHERS CHARACTERISTICS**

Assembly instruction **NA**

Others :

\* Coaxial Transmission Line Only

**MECHANICAL CHARACTERISTICS**

Center contact retention		
Axial force – Mating end		<b>10</b> N mini
Axial force – Opposite end		<b>10</b> N mini
Torque		<b>NA</b> N.cm mini
Recommended torque		
Mating		<b>NA</b> N.cm
Panel nut		<b>NA</b> N.cm
Mating life		<b>500</b> Cycles mini
Weight		<b>3.000</b> g

Issue : 0540 D

In the effort to improve our products, we reserve the right to make changes judged to be necessary.

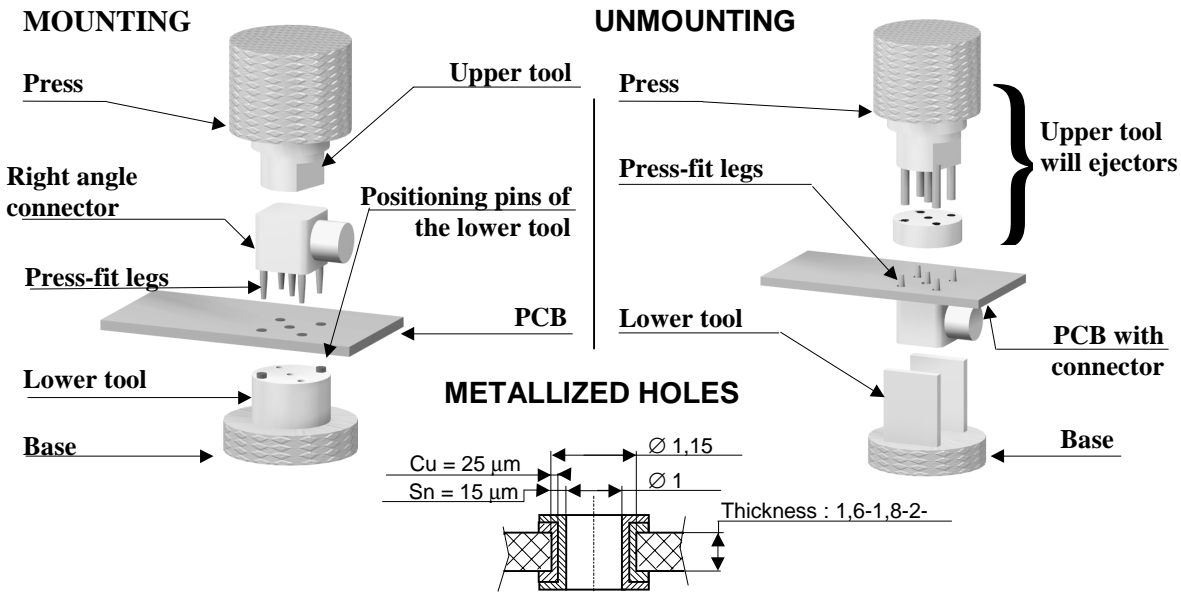


**RIGHT ANGLE RECEPTACLE FOR PCB**

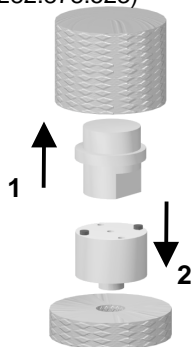
**R113.661.000**

**PRESS-FIT LEGS**

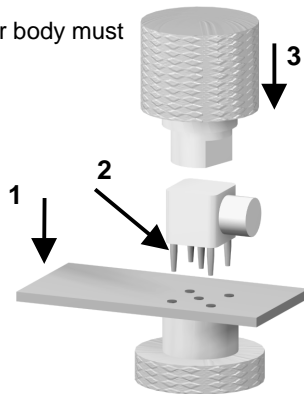
Series : MCX



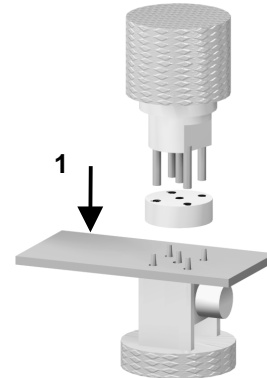
**1**  
Slide the upper tool ( R282.878.500) into the machine (press).  
Slide the lower tool ( R282.878.523) into the base.



**2**  
Place correctly the PCB on the lower tool.  
Introduce the press-fit legs into the holes of the PCB.  
Push on top (100N mini per press-fit leg) until total insertion.  
Note: the connector body must rest on the PCB.

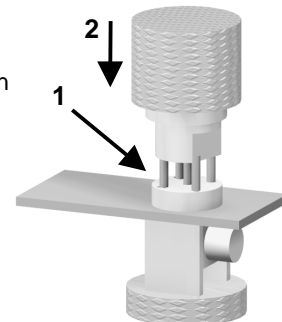


**1**  
Place correctly the PCB and the connector on the lower tool (R282.878.533)



**2**  
Place the upper tool ( R282.878.513) at the back of the connector and place correctly the ejectors :  
- on the press-fit legs (if their length exceed the PCB thickness)  
- in the holes of the PCB (if not).  
Press the upper tool (100N mini per press-fit leg) to remove the connector until it slide down into the lower tool .

**CAUTION :**  
A plated hole of the PCB can be used up to 3 times.



Issue : 0540 D

In the effort to improve our products, we reserve the right to make changes judged to be necessary.

